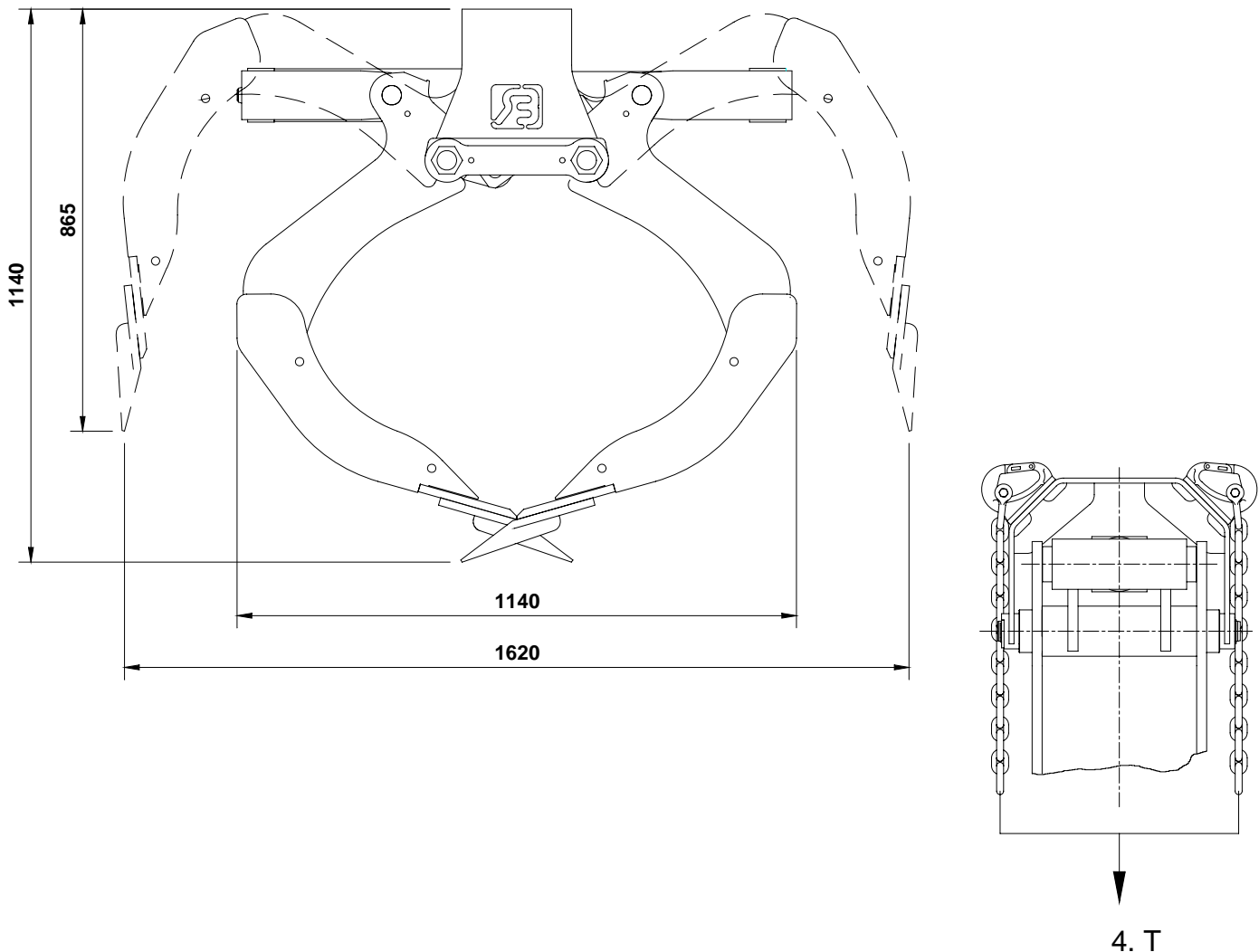




HBA Grab Serial No 17-18-190000

TECHNICAL DATA:

Grab type	:	HBA					
Width	:	<input type="checkbox"/> 60 cm	<input type="checkbox"/> 80 cm	<input type="checkbox"/> 100 cm	<input type="checkbox"/> 70 cm	<input type="checkbox"/> 90 cm	<input type="checkbox"/> 120 cm
Capacity	:	<input type="checkbox"/> 275 L	<input type="checkbox"/> 400 L	<input type="checkbox"/> 500 L	<input type="checkbox"/> 335 L	<input type="checkbox"/> 450 L	<input type="checkbox"/> 600 L
Weight	:	<input type="checkbox"/> 320 kg	<input type="checkbox"/> 350 kg	<input type="checkbox"/> 380 kg	<input type="checkbox"/> 335 kg	<input type="checkbox"/> 365 kg	<input type="checkbox"/> 410 kg
Max. working pressure	:	220 Bar					
Press strength	:	20 kN.					
Max. hoisting load	:	4 Ton					
Maximum oil flow in non-return valve: 80 L/min.							

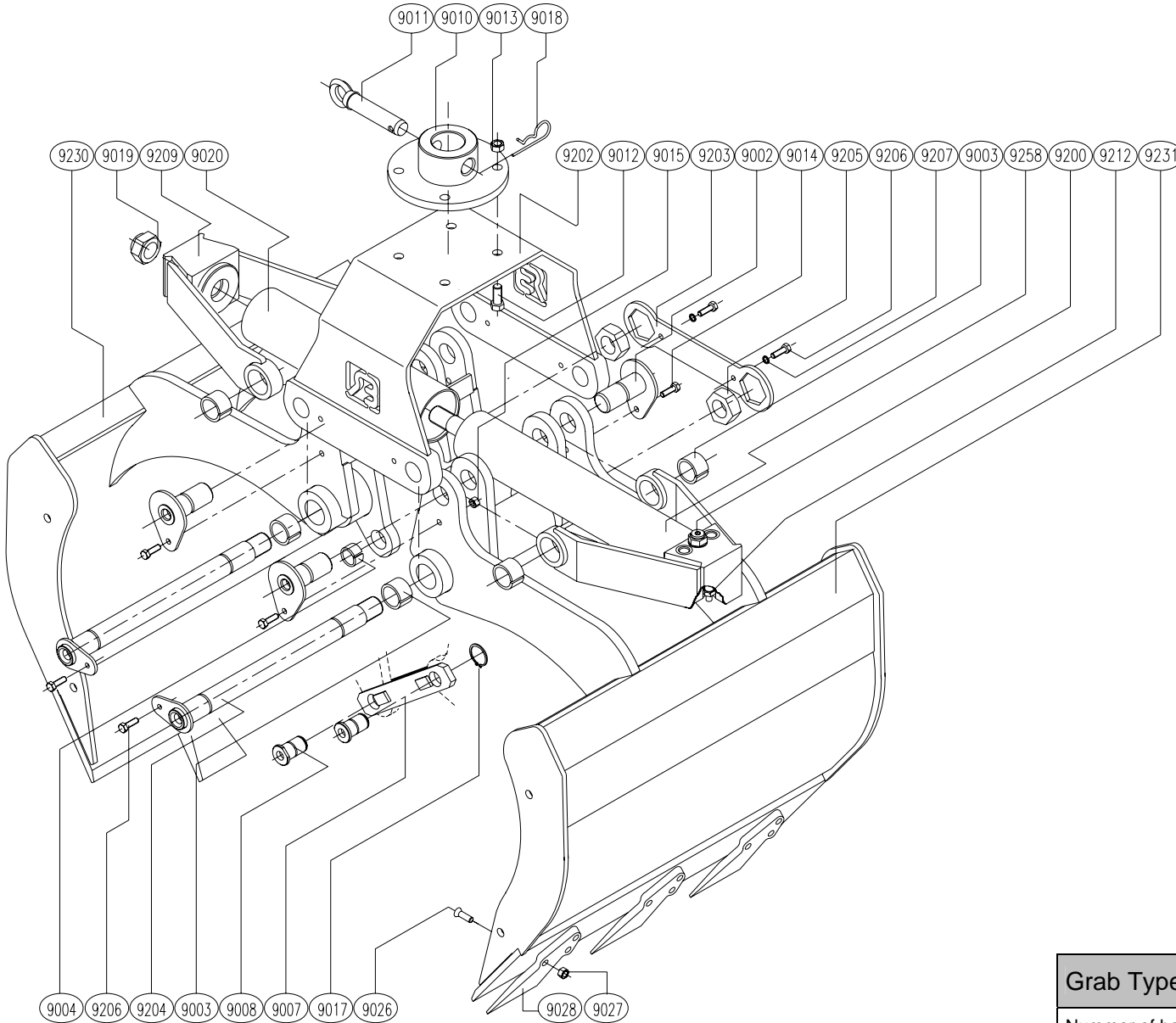


BAKKER HYDRAULIC PRODUCTS b.v.
 Nijverheidsweg 6 6662 NG Elst
 The Netherlands
 Tel: + 31-481-374757
 Fax: + 31-481-375280



HBA Grab Serial No 17-18-190000

SPARE PARTS



PART NO	QUANTITY	SPECIFICATION
HBA-9002	4	PIN
HBA-9003	8	SPLIT BUSH
HBA-9004	4	SPLIT BUSH
HBA-9007	2	STEADY LINK
HBA-9008	4	PIN
HBA-9010	1	CONNECTOR PLATE
HBA-9011	1	CONNECTOR PIN
HBA-9012	4	BOLT
HBA-9013	4	NUT
HBA-9014	4	BOLT
HBA-9015	4	NUT
HBA-9017	4	CIRCLIP
HBA-9018	1	HAIRPIN SPRING
HBA-9019	1	NUT
HBA-9020	1	PISTON ROD PROTECTION
HBA-9026	see chart	BOLT
HBA-9027	see chart	NUT
HBA-9028	see chart	TEETH
HBA-9200	1	NON RETURN VALVE
HBA-9202	1	SADDLE PLATE
HBA-9203	1	LOCKING SPANNER
HBA-9204	2	SHAFT
HBA-9205	2	NUT
HBA-9206	4	BOLT
HBA-9207	2	SPRING WASHER
HBA-9209	1	YOKE
HBA-9212	1	RELIEF VALVE
HBA-9230	1	SIDE PANEL A
HBA-9231	1	SIDE PANEL B
HBA-9258	1	CYLINDER

Grab Type	HBA 60	HBA 70	HBA 80	HBA 90	HBA 100	HBA 120
Number of bolts HBA 9026/9027	15	15	15	15	21	21
Number of bolts HBA 9028	5	5	5	5	7	7